



US00D391084S

# United States Patent [19]

[11] Patent Number: Des. 391,084

Armour

[45] Date of Patent: \*\*Feb. 24, 1998

## [54] TOOTHBRUSH HEAD AND HANDLE UNIT

[76] Inventor: **Bruce Armour**, 400 Cattail Cir., Henderson, Nev. 89015

[\*\*] Term: 14 Years

[21] Appl. No.: 66,294

[22] Filed: Feb. 10, 1997

[51] LOC (6) Cl. .... 04-02

[52] U.S. Cl. .... D4/104; D4/138

[58] Field of Search ..... D4/104-112, 132-134, D4/138; 15/143.1, 159.1, 167.1, 167.2, 186, 187; 132/308, 309; 601/139, 141

## [56] References Cited

### U.S. PATENT DOCUMENTS

|            |         |           |       |          |
|------------|---------|-----------|-------|----------|
| D. 160,651 | 10/1950 | Nugent    | ..... | D4/112   |
| D. 198,440 | 6/1964  | Lardenois | ..... | D4/134   |
| D. 278,661 | 5/1985  | Gelsen    | ..... | D4/104   |
| 3,010,131  | 11/1961 | Kisky     | ..... | 15/167.1 |

Primary Examiner—Alan P. Douglas  
Assistant Examiner—Lavone D. Tabor  
Attorney, Agent, or Firm—Michael R. McKenna

## [57] CLAIM

The ornamental design for a toothbrush head and handle unit, as shown and described.

## DESCRIPTION

FIG. 1 is a top perspective view of the toothbrush head and handle unit;

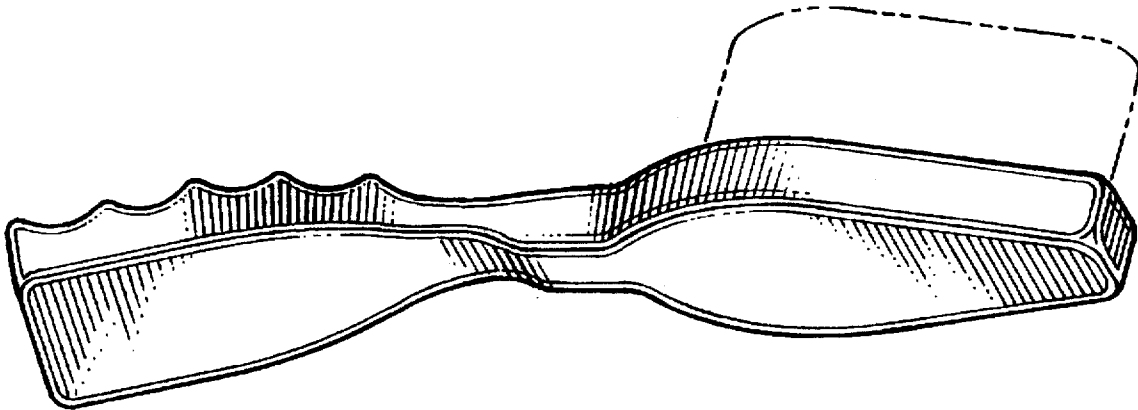
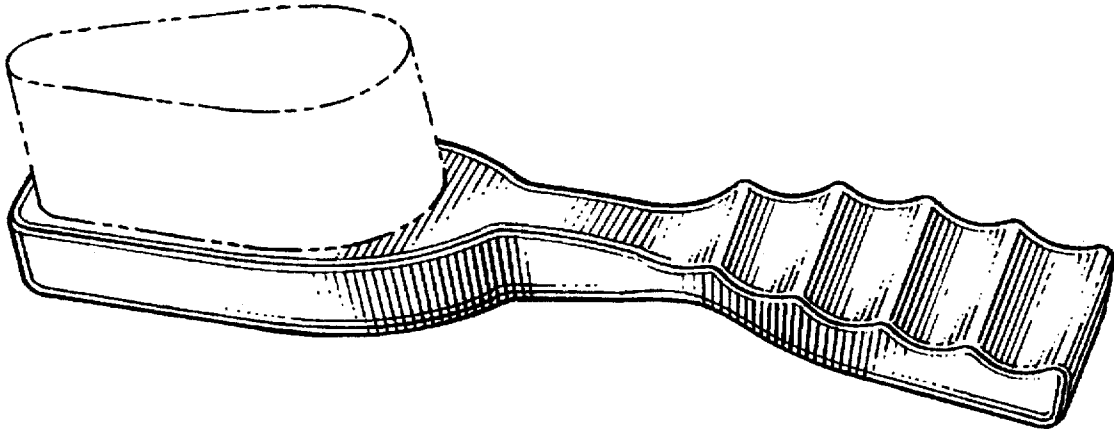
FIG. 2 is a side elevation view of the toothbrush head and handle unit (the opposite side being a mirror image thereof);

FIG. 3 is a top plan view of the toothbrush head and handle unit; and,

FIG. 4 is a bottom perspective view of the toothbrush head and handle unit.

The bristles on the toothbrush head outlined in phantom are not part of the claimed ornamental design.

1 Claim, 1 Drawing Sheet



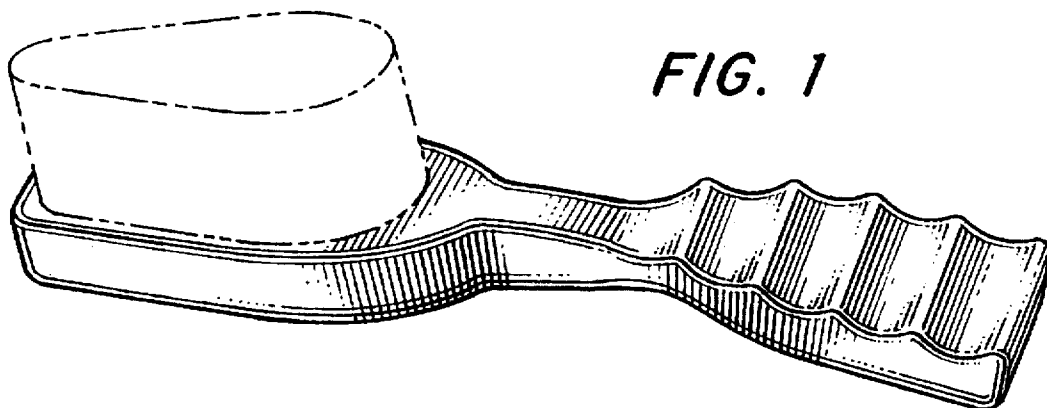


FIG. 1

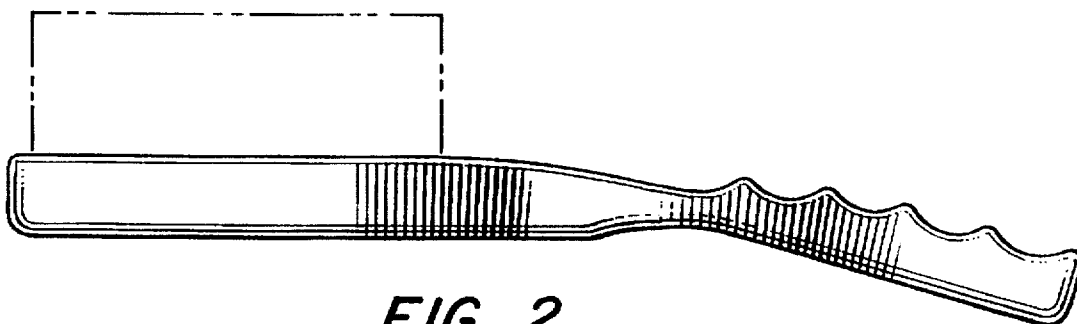


FIG. 2

FIG. 3

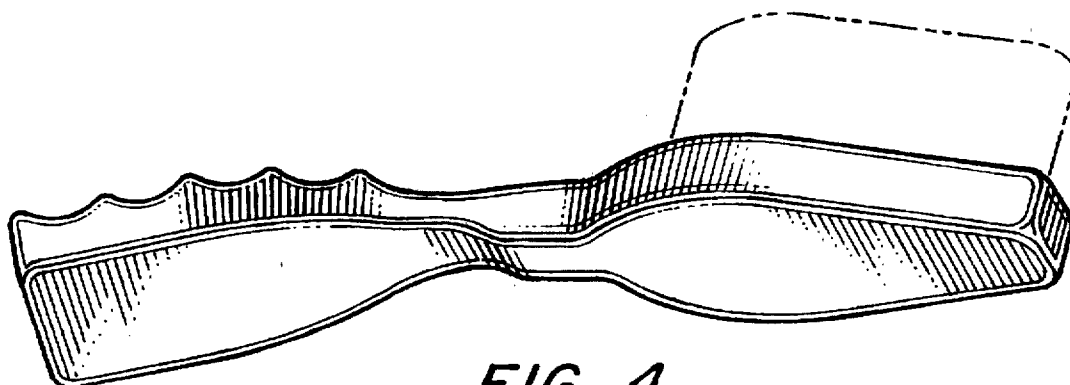
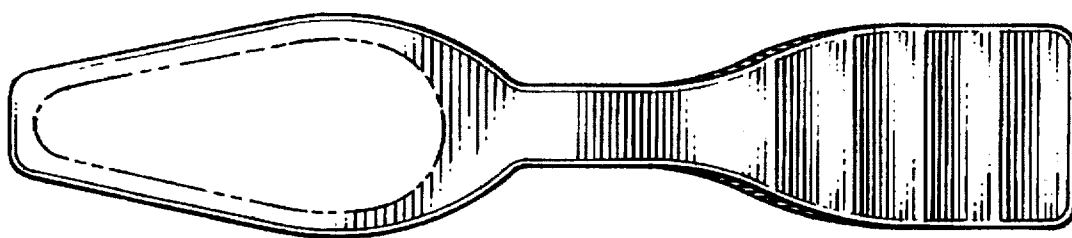


FIG. 4